



# ALLOY HARDFACING

*Evolving to meet YOUR Needs....*

## Ramveyor Raw Product Pump

### EDIBLE or

Design features set the **ALLOY** Ramveyor apart from all others. Consider the following:

**EDIBLE** - the **Ramveyor** is available in a Stainless version which has USDA approval for edible applications.

**CIP** - the **Ramveyor** can be supplied with a CIP option, permitting complete cleaning of the pump without disassembly.

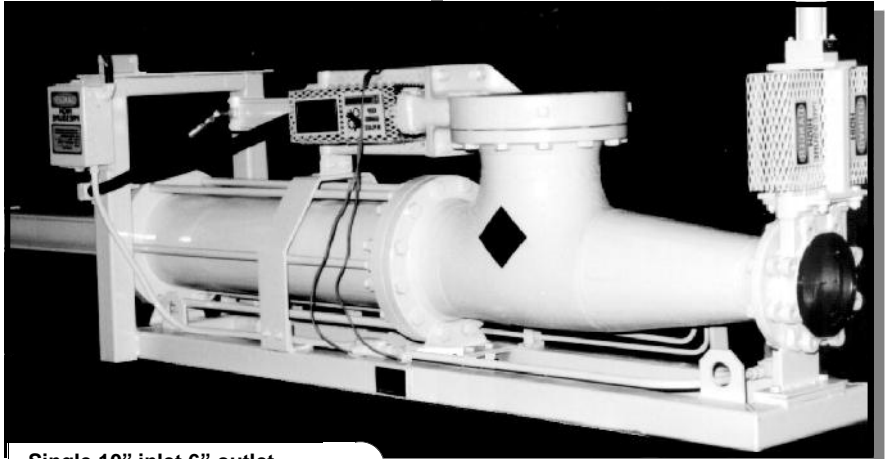
**POSITIVE DISPLACEMENT** - the positive seal of inlet and outlet knife gate valves assure maximum efficiency and process pressure for your application.

**DURABILITY** - the **Ramveyor** is designed with a minimum of moving components; components, which have proven their low wear characteristics.

**EASE OF SERVICE** - when maintenance is required, the **Ramveyor** can be easily disassembled by a single individual. Replacement of the main Ram tube and seals return the pump to original specifications in minutes.

**CONTROL** - the **Ramveyor** incorporates a control scheme, which is both accurate and simple. A Programmable Logic Controller (PLC) is used to simplify the system and provide rapid service when required. Timers are also supplied as a "back up" system assuring continued operation.

**INDUSTRIAL DESIGN** - the **Ramveyor** was designed for the industrial needs of the food industries where continued operation is a must.



Single 10" inlet 6" outlet

#### CONFIGURATIONS:

**Single:** This basic configuration incorporates a frame, power pack with single motor and hydraulic pump connected to a single piston pump. Unit offers excellent performance in applications where the product flow need not be continuously even.

**Double:** This configuration makes use of (2) pumps mounted on a common frame. Unit has (2) motors and (2) hydraulic pumps mounted on a single reservoir and uses a common control panel. This unit is well suited for applications requiring constant even flow.

**Dual:** This configuration consists of (2) pumps mounted on a common frame. This unit has a single motor and hydraulic pump mounted on the reservoir. Use of a "slave drive" hydraulic circuit provides the maximum output per gallon of hydraulic fluid pumped. In this design, the control panel is common to both pumps. This unit is well suited for applications requiring constant even flow.

#### Models and Capacities

##### SINGLES

S6x6x2.5x20	7,260# / hr
S6x6x2.0x40	7,925# / hr
S8x6x3.25x20	14,380#/hr
S8x6x3.25x40	26,720#/hr
S10x6x4.0x30	21,800#/hr
S10x6x3.25x40	32,660#/hr
S12x8x5.0x30	34,900#/hr
S12x8x4.0x50	69,420#/hr

##### DOUBLES

DB6x6x2.5x20	14,529#/hr
DB6x6x2.0x40	26,080#/hr
DB8x6x3.25x20	28,760#/hr
DB8x6x3.25x40	53,440#/hr
DB10x6x4.0x30	43,600#/hr
DB10x6x3.25x40	65,320#/hr
DB12x8x5.0x30	69,800#/hr
DB12x8x4.0x50	138,840#/hr
Additional sizes upto 220,000#/hr	

#### PRODUCTS

General Rendering  
Offal  
MDM  
Ground Heads and Feet  
Backs and Cages  
Sewage Sludge  
Paunch

**Alloy Hardfacing & Engineering Co., Inc.**  
20425 Johnson Memorial Drive., Jordan, MN 55352  
800-328-8408 or 952-49ALLOY 952-492-3100 (fax)  
Website: [www.alloyhardfacing.com](http://www.alloyhardfacing.com) email: [msaalloy@gmail.com](mailto:msaalloy@gmail.com)

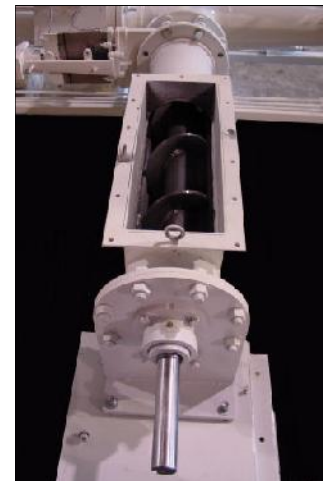
# Customize Your Pump

No one offers the flexibility of the Alloy Ramveyor® Piston Pump.



Many pump applications are part of existent processes, often limiting installation flexibility.

The suction capability of the positive displacement Alloy Ramveyor® piston pump permits installation at any angle between top center (*vertical*) and horizontal as shown at the left.



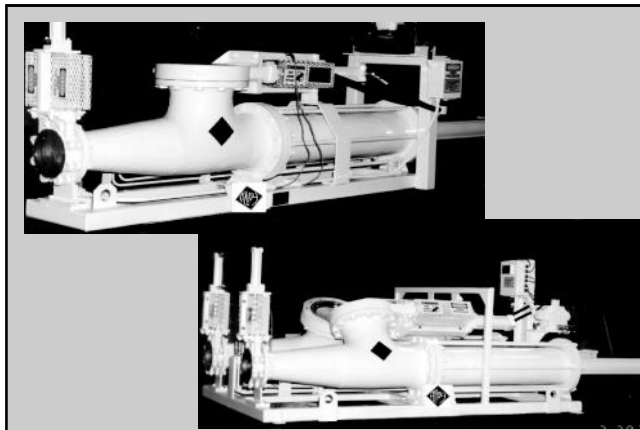
Since the Alloy Ramveyor® is available in both Edible and Inedible models, it was only natural we develop a method for C.I.P. (Clean In Place) to meet customer needs. The C.I.P. chamber shown at the right, provides a disengagement zone for the pumping piston head, permitting full flow through during required C.I.P. cycles.



Piston pumps are often called on to transport materials with high solids content, as well as low flowability characteristics. For these installations, Alloy offers the Posi-Feeder, an add-on option that assures both pre-compression and positive feed. Viewed here from the discharge end, we see the heavy duty sectional flighting.

**Still have questions about the Alloy Ramveyor in your application ?**

**Answers are as simple as 1,2,3.....**

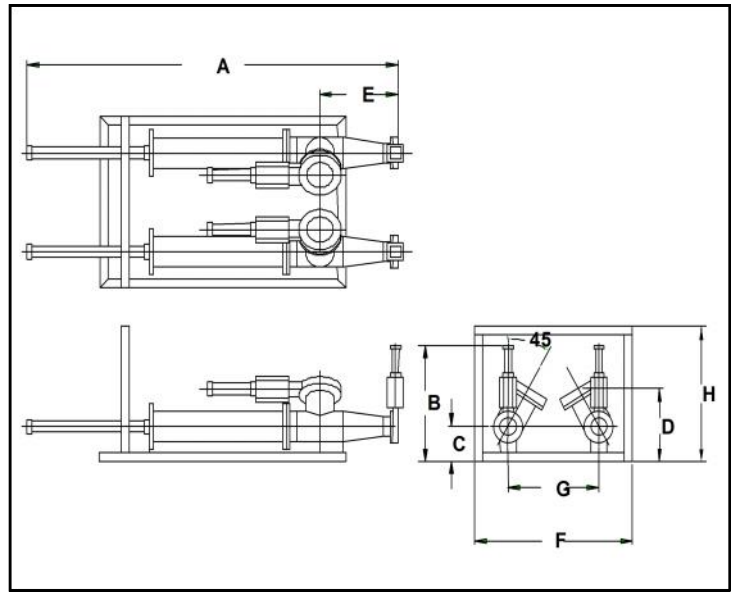
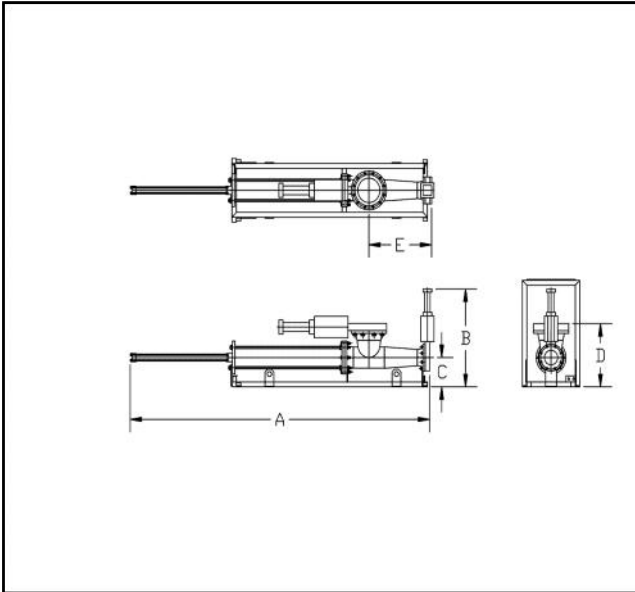


- 1) Call Alloy and speak with one of our application professionals.
- 2) Request a copy of the Alloy Ramveyor Video to see further details of the Alloy piston pump as well as actual application footage.
- 3) Request use of one of the Alloy test Ramveyor Pumps; Single, Double and Edible units are available. A portion of your rental fees are applicable towards purchase price.

Alloy Hardfacing & Engineering Co., Inc.  
20425 Johnson Memorial Drive  
Jordan, MN 55352  
www.alloyhardfacing.com or email msaalloy@gmail.com

Voice: 1-952-492-5569  
1-800-328-8408  
Fax: 1-952-492-3100

## Don't Miss A Stroke...



MODEL	DIM "A"	DIM "B"	DIM "C"	DIM "D"	DIM "E"	MODEL	DIM "A"	DIM "B"	DIM "C"	DIM "D"	DIM "E"	DIM "F"
6" x 6" x 20"	85.00	37.75	10.00	21.63	17.63	6" x 6" x 20"	85.00	37.75	10.00	21.63	17.63	40.00
6" x 6" x 30"	105.00	37.75	10.00	21.63	17.63	6" x 6" x 30"	105.00	37.75	10.00	21.63	17.63	40.00
6" x 6" x 40"	145.00	37.75	10.00	21.63	17.63	6" x 6" x 40"	145.00	37.75	10.00	21.63	17.63	40.00
8" x 6" x 20"	96.25	39.63	12.00	27.38	29.25	8" x 6" x 20"	96.25	39.63	12.00	27.38	29.25	53.00
8" x 6" x 30"	116.25	39.63	12.00	27.38	29.25	8" x 6" x 30"	116.25	39.63	12.00	27.38	29.25	53.00
8" x 6" x 40"	136.25	39.63	12.00	27.38	29.25	8" x 6" x 40"	136.25	39.63	12.00	27.38	29.25	53.00
10" x 6" x 20"	100.00	39.63	12.00	27.38	29.25	10" x 6" x 20"	100.00	39.63	12.00	27.38	29.25	53.00
10" x 6" x 30"	120.00	39.63	12.00	27.38	29.25	10" x 6" x 30"	120.00	39.63	12.00	27.38	29.25	53.00
10" x 6" x 40"	140.00	51.25	12.00	27.38	29.25	10" x 6" x 40"	140.00	51.25	12.00	27.38	29.25	53.00
12" x 8" x 20"	110.00	51.25	15.50	33.13	36.50	12" x 8" x 20"	110.00	51.25	15.50	33.13	36.50	64.00
12" x 8" x 30"	130.00	51.25	15.50	33.13	36.50	12" x 8" x 30"	130.00	51.25	15.50	33.13	36.50	64.00
12" x 8" x 40"	150.00	51.25	15.50	33.13	36.50	12" x 8" x 40"	150.00	51.25	15.50	33.13	36.50	64.00
12" x 8" x 50"	170.00	51.25	15.50	33.13	36.50	12" x 8" x 50"	170.00	51.25	15.50	33.13	36.50	64.00
14" x 10" x 40"	148.00	64.50	20.50	39.50	37.25	14" x 10" x 40"	147.75	64.25	20.50	39.50	37.25	60.00
14" x 10" x 50"	168.00	64.50	20.50	39.50	37.25	14" x 10" x 50"	167.75	64.25	20.50	39.50	37.25	60.00
16" x 12" x 40"	152.00	71.50	20.50	41.00	39.00	16" x 12" x 40"	152.00	71.50	20.50	41.00	39.00	67.00
16" x 12" x 50"	172.00	71.50	20.50	41.00	39.00	16" x 12" x 50"	172.00	71.25	20.50	41.00	39.00	67.00

### RAMVEYOR FEATURES:

- Positive Displacement
- Heavy Duty Design
- Dual Control
- Heavy Duty Design

- CIP Option
- Durability
- Ease of Service
- Stock Parts